

# HOW TO FILL THE AUTOMATIC WAXING SYSTEM

LIFESTRIDE®  
9500/9100

Tools Required:  
5/32" Hex key wrench

**NOTE: CHECK EXPIRATION DATE ON WAX CONTAINER BOX BEFORE PROCEEDING. IF EXPIRATION DATE IS EXCEEDED RETURN THE UNOPENED CONTAINER TO LIFE FITNESS PRODUCT SUPPORT FOR REPLACEMENT.**

## Step 1 (See Figure 2)

For the TR-9500, use a 5/32" hex key wrench to remove the **SCREWS (3)** from the *right FRONT FRAME CAP*. Remove the **FRONT BELT GUARD** and set aside. For the TR-9100, use a 5/32" hex key wrench to remove the **SCREWS (2)** from the *left REAR FRAME CAP* and set aside.

## Step 2 (See Figure 2)

Locate the **BRASS VALVE** and **HOSE** within the machine, gently pull it out for easier access.

## Step 3 (See Figure 1)

Pull up on the wax bag cap, remove the cap and screw on the **FILLING HOSE**.

**CAUTION: WAX IS IN A LIQUID STATE. DO NOT TILT THE BOX BEFORE CHECKING THE FILLING HOSE CAP AND CLAMP. MAKE CERTAIN THE HOSE CLAMP IS "PINCHING" THE HOSE PREVENTING THE WAX FROM ESCAPING.**

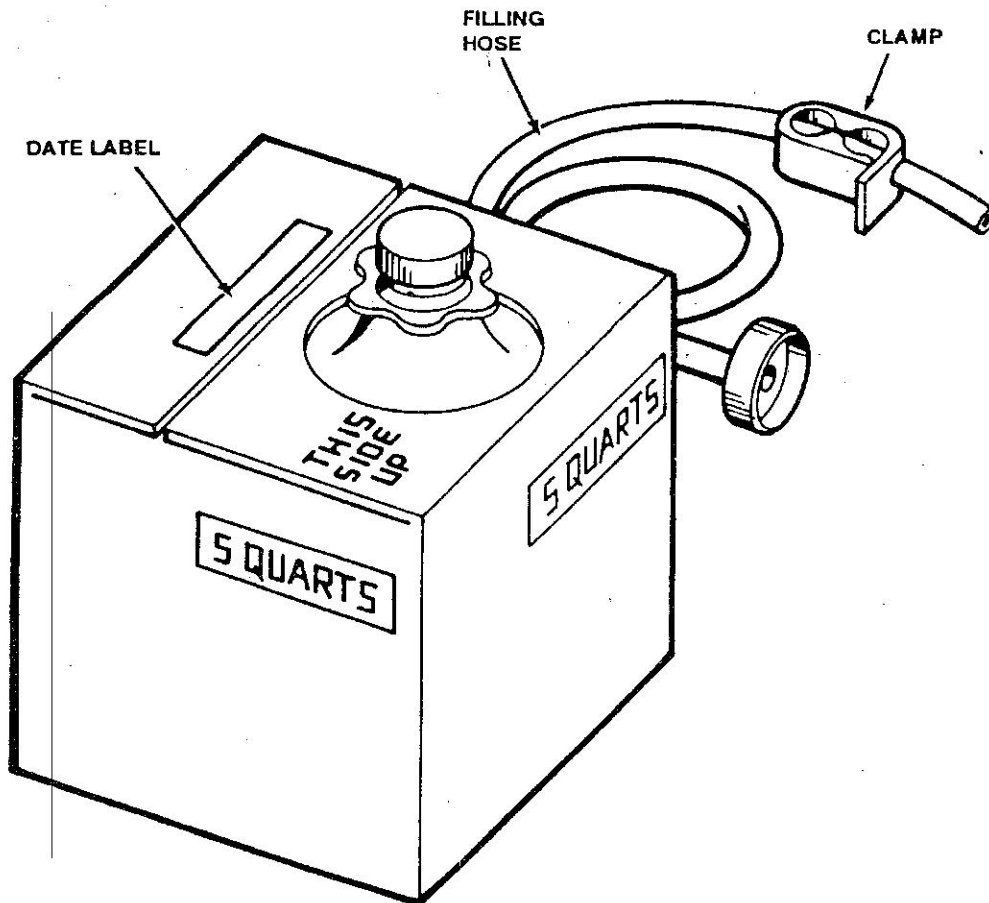


FIGURE 1

*Life Fitness* PRODUCT SUPPORT CENTER

M051-00K26-E053

10601 West Belmont Avenue, Franklin Park, Illinois 60131 (708) 451-0036 (800) 351-3737 FAX (708) 451-4137

©1991 Life Fitness. All rights reserved. Life Fitness, Lifecycle, Liferower, Lifestep, LifeCircuit, Liferacer and Lifestride are trademarks of Life Fitness.

10/92

**Step 4 (See Figure 2)**

With the **FILLING HOSE CAP** and **CLAMP** securely in place, position the **WAX BOX** upside down resting it on the **HANDLEBAR** and **DISPLAY CONSOLE**. Route the **FILLING HOSE** between the **HANDLEBAR** and **DISPLAY CONSOLE** to the **BRASS VALVE** inside the machine.

**Step 5 (See Figure 2)**

Slip the **FILLING HOSE** over the barbed **HOSE FITTING** on the **BRASS VALVE**, allowing the **HOSE** to fill completely with wax. Turn the **VALVE HANDLE** to the full "OPEN" position then release the **CLAMP** on the **FILLING HOSE**. The wax will flow freely out of the box into the **CONTAINER**.

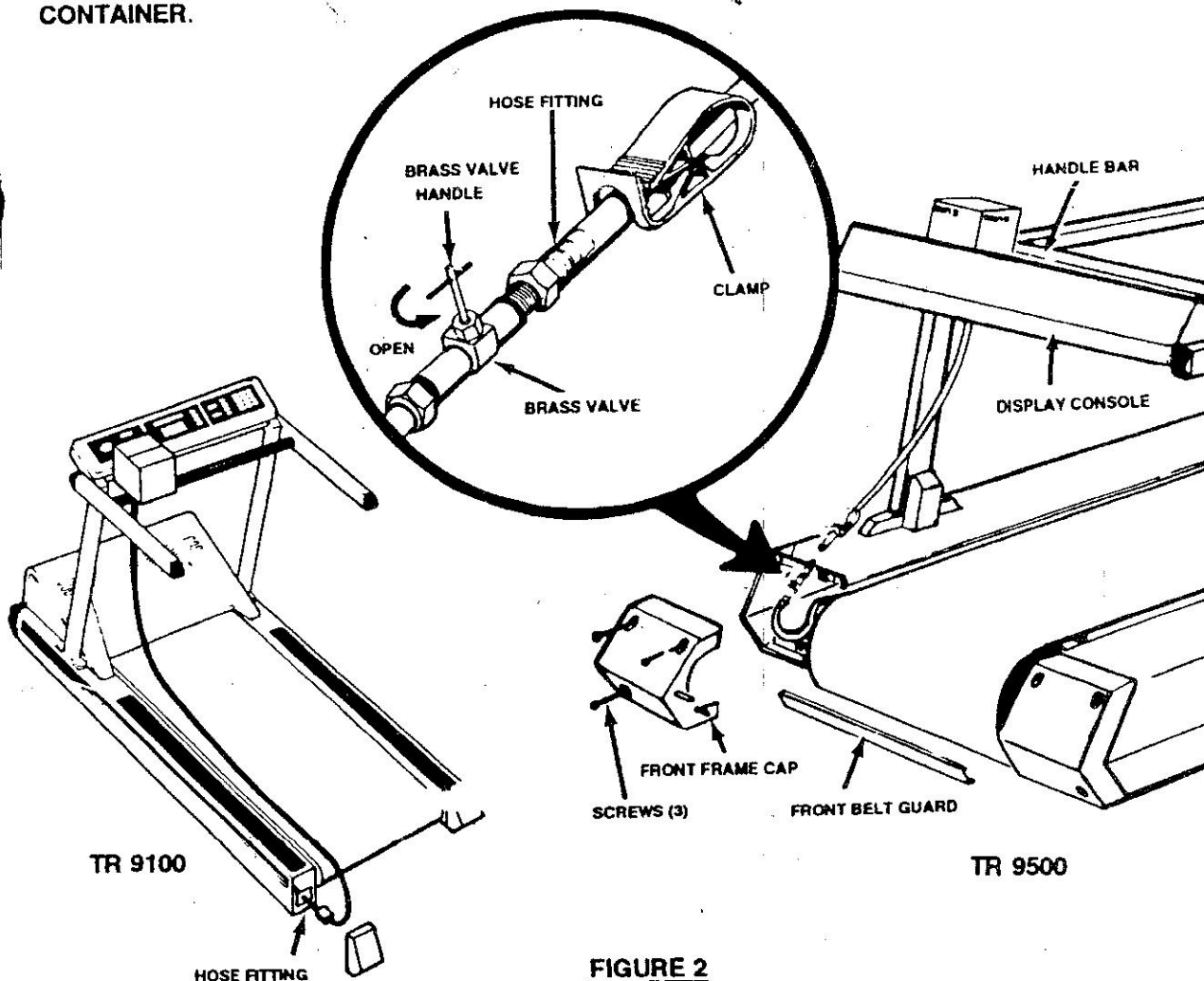
This procedure takes approximately 8 minutes for all 5 quarts of wax to transfer into the **WAX CONTAINER**.

**Step 6 (See Figure 2)**

When air bubbles appear in the **FILLING HOSE** the transfer is completed. Check bottle to ensure it is emptied then press down on the **FILLING HOSE CLAMP** to stop the wax flow, and turn the **BRASS VALVE HANDLE** to the fully "CLOSED" position.

**Step 7**

Disengage the **FILLING HOSE** and discard the **WAX BOX**. **CAUTION: WAX SOLUTION BETWEEN THE CLAMP AND VALVE WILL DRAIN OUT.** The filling procedure is now completed. Replace the **BRASS VALVE** in the treadmill. Reinstall the **FRONT BELT GUARD** and **FRONT FRAME CAP** on the TR9500 or the **REAR FRAME CAP** on the TR9100. The machine is now fully operational. *The solution will last approximately 1 year.*



**FIGURE 2**